

Quick installation repair clamps for the permanent repair of damaged galvanised steel, PVC and copper pipelines.
DN 15 - DN 50

WANG-KWIK Repair Clamps



- Full circle repair clamps for galvanised steel, PVC and copper pipelines.
- Full circle seal provides complete damage containment.
- Available in 75mm or 150mm lengths.
- 316 stainless steel skin.
- Galvanised steel or 316 stainless steel fasteners available.
- Manufactured in accordance with ISO 9001 quality standards.

General application

Kwik Clamps are ideal for the repair of galvanised steel, PVC and copper pipes with pinholes, punctures or splits. Use of quality materials and robust design provide a complete pipe repair in a variety of applications.

Technical data

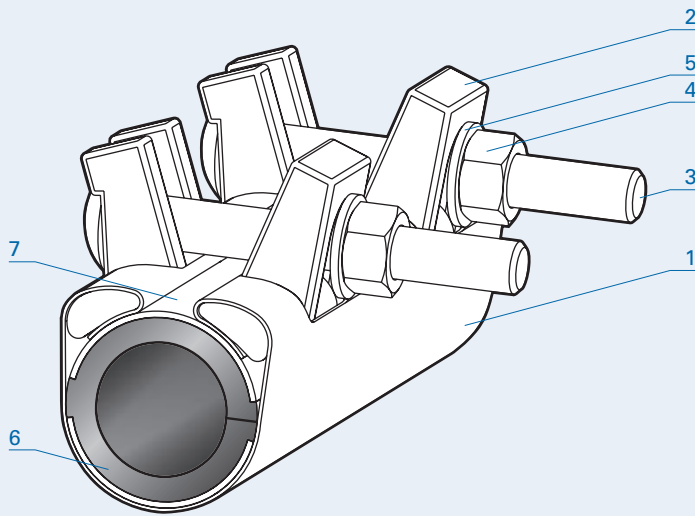
Size Range:
DN 15 – DN 50

Maximum Operating Pressure:
1600 kPa

Temperature Range:
-10°C to 60°C

Note: Wang KWIK clamps do not provide axial pipe restraint.

WANG-KWIK repair clamp parts list



No.	Description / Material / Standards
1	Skin 316 Stainless Steel ASTM A240M
2	Lugs Ductile-Iron (Epoxy enamel paint) AS 1831
3	Bolts Galvanised Mild Steel or 316 Stainless Steel DIN 603
4	Nuts Galvanised Mild Steel or 316 Stainless Steel ISO 4032/AS 1112.1
5	Washers Galvanised Mild Steel or 316 Stainless Steel ISO 887
6	Gasket Cartridge Nitrile (NBR) Compound AS 1646 and AS/NZS 4020
7	Gasket Armour 316 Stainless Steel bonded to gasket ASTM A240M

Pipe suitability – pipe OD

Nominal Size DN	15	20	25	32	40	50
Copper	15	20	25	32	40	50
Galvanised Steel	21	27	33	42	48	60
PVC	21	27	33	42	48	60

Full circle KWIK clamp configuration

Pipe	Nominal size	Length	Number of bolts	Bolt size
Copper	15-50	75	1	M10
Copper	15-50	150	2	M10
Galv Steel/PVC	15-50	75	1	M10
Galv Steel/PVC	15-50	150	2	M10

For additional product information visit:
www.tycowater.com.au/pipeline_components2



TWW_KRC0903

© Copyright by Tyco International Ltd
Tyco Water reserves the right to change product
designs and specifications without notice