

Stainless steel Sewer Junction Clamps for fast and permanent sewer branch connections and repairs on non-pressure sewer pipelines.
DN 100 – DN 450.

WANG Sewer OB Junction Clamps

- Simple and permanent installation.
- Quickly repairs and reconnects broken sewer junctions.
- Quickly provides property branches on renewed/relined pipes.
- 45° and 90° junctions available.
- uPVC access coupling fixed to off-take (as standard) for convenient solvent weld connections to PVC pipe.
- Fully constructed from 316 stainless steel for high corrosion protection.
- Full circle nitrile rubber gasket.
- Fully passivated.
- All sharp surfaces finished to avoid injury.
- Plastic thread protectors.
- Molybond® coated fasteners to prevent galling.
- Minimises downtime to affected mains.
- Off-take does not interfere with CCTV camera inspections.
- Clamp design provides rehabilitation to damaged pipes.
- Able to adapt to pipe irregularities or ovality.
- Manufactured in accordance with ISO 9001 quality standards.



General applications

Ideally suited to installing a new property sewer branch on an existing main, or to repair and reconnect a damaged property branch. Also ideal for reconnecting a property branch on renewed or relined pipelines.

Technical data

Size Range: DN 100 – DN 450

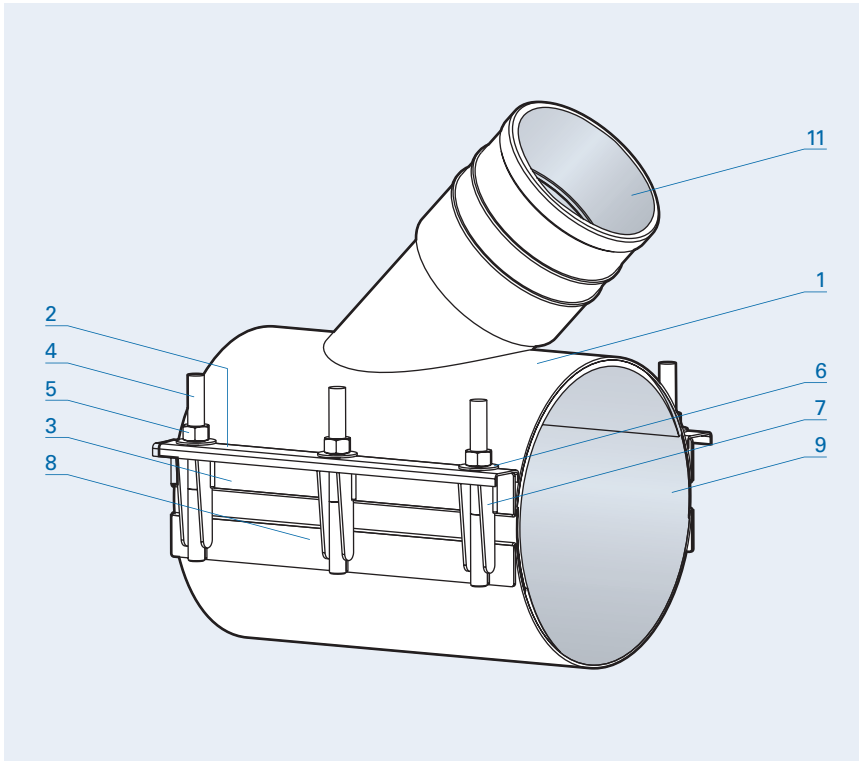
Offtake Sizes:
DN 100, DN 150, DN 225
(Depending on host pipe size)

Maximum Operating Pressure:
100 kPa

Temperature Range:
-10° to 60°C

WANG sewer OB junction clamp parts list

No.	Description / Material / Standard
1	Skin 316 Stainless Steel ASTM A240M
2	Locking Plate 316 Stainless Steel ASTM A240M
3	Bridge Plate 316 Stainless Steel bonded to gasket ASTM A240M
4	Studs 316 Stainless Steel – Molybond coated ASTM A276
5	Nuts 316 Stainless Steel – Molybond coated AS 1112.1
6	Washers 316 Stainless Steel ISO 7089
7	Lugs 316 Stainless Steel ASTM A240M or A276
8	Flat Bars 316 Stainless Steel ASTM A240M or A276
9	Sealing Gasket Full-circle Nitrile (NBR) compound AS 1646 and AS/NZS 4020
10	Off-take 316 Stainless Steel ASTM A312M
11	Access Coupling uPVC / AS/NZS 1260



Standard sewer clamp data

Nominal Size <i>DN</i>	Offtake Size <i>dn</i>	Code Prefix	Stud Size	No Of Parts	No Of Bolts	Clamp Length <i>mm</i>
100-450	100	K6	M16	2	6	300
150-450	150	K8	M16	2	10	400
300-450	225	K14	M16	2	14	600

Typical specifying sequence

K	6	-	190	W	110	B	C	A
<p>K = Clamp code</p> <p>6 = Number of fasteners 6 = 6 bolts 8 = 8 bolts 14 = 14 bolts</p> <p>- = Delineator</p> <p>190 = Start of OD range, ie, 190mm</p> <p>W = Offtake type – sewer junction off-take</p> <p>110 = Nominal offtake size 110 = dn 100 / 160 = dn 150 / 250 = dn 225</p> <p>B = Number of parts – 2 part</p> <p>C = Clamp length. <i>mm</i> C = 300 / D = 400 / F = 600</p> <p>A = Junction type – 45° with uPVC access coupling C = Junction type – 90° with uPVC access coupling</p>								

For additional product information visit:
www.tycowater.com.au/pipeline_components2