

A fast and economical way to tap into unstable pipe and to repair pipes with pulled services or damaged service connections.
DN 50 – DN 1200.

WANG

Tapped Offtake Repair Clamps

- Includes a stainless steel, female BSP threaded socket from DN 20 - DN 100, for the connection of threaded valves and fittings.
- Each clamp fits a range of pipe diameters.
- Able to adapt to pipe irregularities or ovality.
- Clamp body provides rehabilitation to damaged and unstable pipes that require tapping.
- Clamp body provides pipe support after the pipe is tapped.
- Fully constructed from 316 stainless steel for high corrosion protection.
- Full-circle nitrile rubber gasket insulates against galvanic pipe corrosion.
- Fully passivated.
- Supplied with plastic thread protectors.
- All sharp surfaces finished to avoid harm to the installer.
- Dispatched with installation instructions.
- Molybond® coated fasteners to prevent galling.
- Manufactured in accordance with ISO 9001 quality standards.



General applications

A fast and economical way to repair pipes with pulled services, pipe breaks at the service connection, and repairs for tapped AC couplings, also ideal for tapping into damaged and unstable pipes. The combination of quality materials and superior design allows this clamp to be utilised in a variety of applications and industries.

Technical data

Size Range:

DN 50 - DN 1200

Offtake Sizes:

DN 20 - DN 100

(Depending on host pipe size)

Maximum Operating Pressure:

1600 kPa (up to and including DN 400).

Temperature Range:

-10°C to 60°C

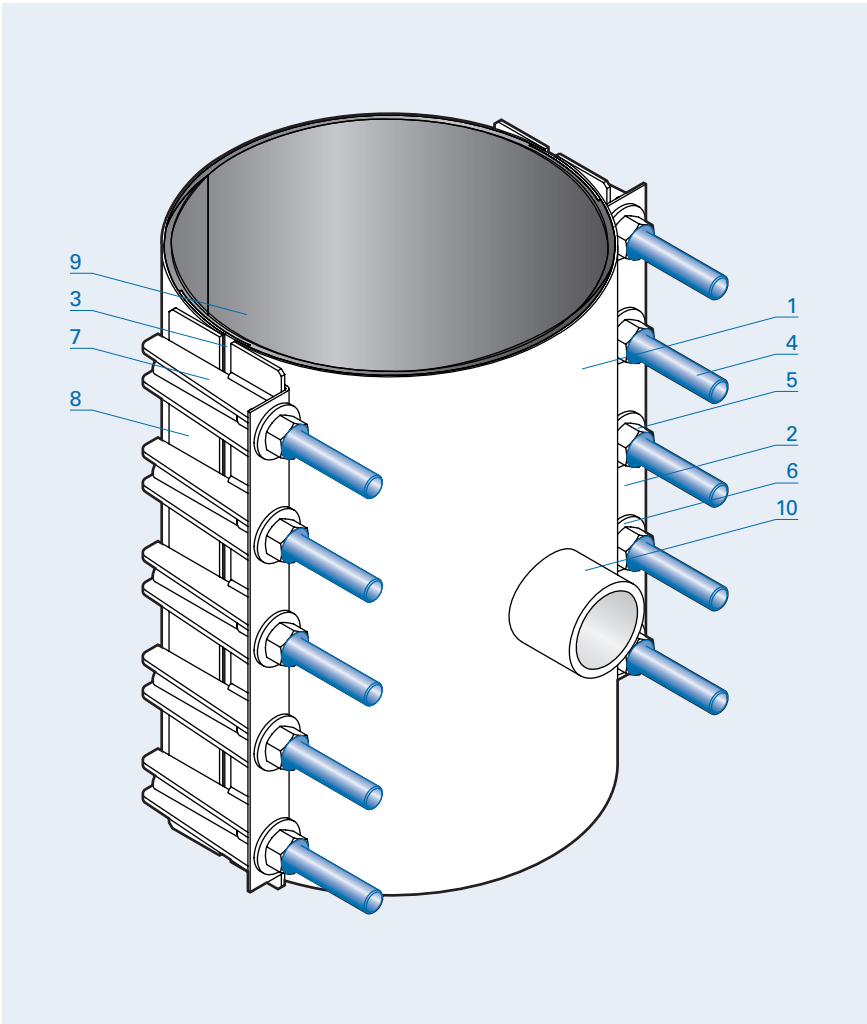
Relevant Standards:

AS 4181

WANG tapped offtake repair clamp parts list

No. Description /
Material / Standard

1	Skin 316 Stainless Steel ASTM A240M
2	Locking Plate 316 Stainless Steel ASTM A240M
3	Bridge Plate 316 Stainless Steel bonded to gasket ASTM A240M
4	Studs 316 Stainless Steel – Molybond coated ASTM A276
5	Nuts 316 Stainless Steel – Molybond coated AS 1112.1
6	Washers 316 Stainless Steel ISO 7089
7	Lugs 316 Stainless Steel ASTM A240M
8	Flat Bars 316 Stainless Steel ASTM A240M
9	Sealing Gasket Full-circle Nitrile (NBR) compound AS 1646 and AS/NZS 4020
10	BSP Offtake 316 Stainless Steel ISO 4144 or ANSI B16.3, AS 1722.1



WANG tapped offtake repair clamp data

Nominal size DN	Min. clamp length	Offtake sizes dn	Code prefix	No. of studs	No. of parts	No. of parts code	Clamp length code	Bolt size
50	150	20,25,32	K2	2	1	A	A	M16
65	150	20,25,32,40	K2	2	1	A	A	M16
80	150	20,25,32,40	K2	2	1	A	A	M16
80	200	20,25,32,40	K2	2	1	A	B	M16
80	300	20,25,32,40	K3	3	1	A	C	M16
100-125	200	20,25,32,40,50	K2	2	1	A	B	M16
100-125	300	20,25,32,40,50	K3	3	1	A	C	M16
150	200	20,25,32,40,50	K2	2	1	A	B	M16
150	300	20,25,32,40,50	K3	3	1	A	C	M16
200	200	20,25,32,40,50	K2	2	1	A	B	M16
200	300	20,25,32,40,50 65,80,100	K3	3	1	A	C	M16
225-250	300	20,25,32,40,50 65,80,100	K4	4	1	A	C	M16
300	400	20,25,32,40,50	K5	5	1	A	D	M16
300-400	400	20,25,32,40,50 65,80,100	K10	10	2	B	D	M16

Note. Other off-take sizes, that do not comply with AS 4181 may be available upon request. Please contact your nearest Tyco Water Customer Service Centre.

Typical specifying sequence

	K	2	-	215	T	020	A	B
K	= Clamp code							
2	= Number of studs 2 = 2 bolts 3 = 3 bolts 10 = 10 bolts							
-	= Delineator							
215	= Clamp size Start of OD range, ie, 215-225mm							
T	= Offtake type – tapped BSP socket							
110	= Nominal offtake size DN 20 = 020 / DN 25 = 025 / DN 32 = 032 / DN 40 = 040 DN 50 = 050 / DN 65 = 065 / DN 80 = 080 / DN 100 = 100							
A	= Number of parts. A = 1 part / B = 2 part							
B	= Clamp length. mm (Refer to Standard clamp data table above) A = 150 / B = 200 / C = 300 / D = 400							



WANG Clamps and Couplings

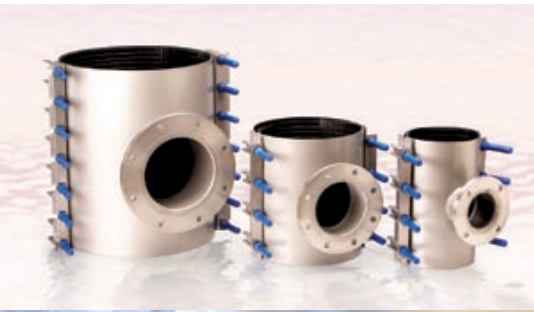
Tyco Water *Wang Components* is one of the leading suppliers of Grade 316 Stainless Steel Repair and Tapped Clamps as well as Couplings for reticulated water, sewerage and gas distribution mains including industrial piping systems.

As part of the Tyco Water business, *Wang Components* products have become synonymous with quality and reliability. Our product range is widely utilised and relied upon by Water Authorities and Councils throughout

Australia in the installation and maintenance of their supply mains and reticulation network.

Wang Components products are Australian made and can be sourced through the Tyco Water national sales and service network of customer centres.

Tyco Water is a specialist in integrated solutions for all your water and wastewater pipeline system requirements.



◀ Flanged Offtake Clamp

A cost effective means of achieving a 'T' connection or under pressure tapping. DN 100 - DN 900

KWIK Clamp ▶

A full circle repair clamp for small bore galvanised steel, copper and PVC pipe. DN 15 - DN 50



◀ Sewer OB Junction Clamp

A quick method of installing a new property service connection on a sewer main. DN 100 - DN 450

Repair Clamp ▶

A fast, permanent and economical repair solution for most pipe types and sizes. DN 50 - DN 1200



◀ Socket Joint Leak Clamp

Provides a permanent and economical seal over a leaking socket-spigot joint. DN 80 - DN 1200

Tapped Clamp ▶

A reliable means of tapping into old, unstable or damaged pipe. DN 50 - DN 1200



◀ Vari-Gib Coupling

Designed to provide a mechanical joint between similar or dissimilar pipes. DN 50 - DN 1200

Tapping Saddle – Rigid pipe ▶

Variable OD stainless steel saddle for tapping into rigid pipe. DN 40 - DN 450

