

Stainless Steel tapping saddle clamps for fast and permanent tapping into most rigid pipe types and sizes.

DN 40 – DN 450.

- Manufactured in accordance with Watermark standards.
- Fully constructed from 316 stainless steel for high corrosion protection.
- The saddle skin is lined with nitrile rubber, eliminating metal-to-metal contact, and insulating the pipe against galvanic corrosion.
- Each clamp fits a range of pipe diameters.
- Can be installed on a pressurised main.
- Fully passivated welds.
- Supplied with plastic thread protectors.
- All rough surfaces finished to avoid harm to the installer.
- Dispatched with installation instructions and a lubrication sachet.
- Able to adapt to pipe irregularities and ovality.
- Saddle body provides pipe support after the pipe is tapped.
- Large surface area contact on pipe.
- Molybond® coated fasteners to prevent galling.
- Manufactured in accordance with ISO 9001 quality standards.

# WANG

## Type 'R' Tapping Saddles for Rigid Pipe



### General applications

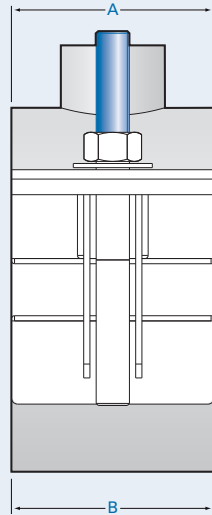
The **Wang** Stainless Steel Tapping Saddle is a quick and permanent way to tap into most rigid pipe types and sizes up to DN450. They are ideal for main stop installations, air valve installations, and many other service connections. The saddle design can accommodate a range of different pipe diameters. The combination of quality materials and superior design allows this product to be utilised in a variety of applications.

### Technical data

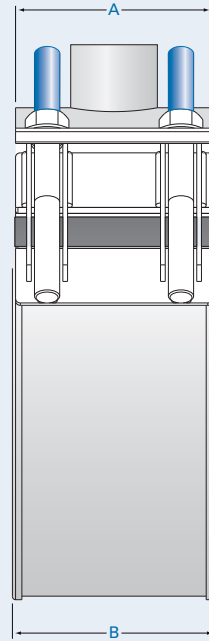
**Size Range:** DN 40 – DN 450.  
**Offtake Sizes:** DN 20 – DN 50.  
*Depending on host pipe size.*  
**Operating Pressure:** 1600 kPa.  
**Temperature Range:**  
-10°C to 60°C.  
**Relevant Standards:**  
Watermark MP52  
Spec 025 Lic W278.

## Standard Clamp Data

Nominal size	Offtake size	Code prefix	Stud size	No. Of parts	No Of bolts	Min Length		OD range
						A	B	
40 - 65	20, 25	KT1	M16	1	1	125	125	5mm
80 - 150	20, 25, 32, 40, 50	KT1	M16	1	1	125	125	10mm
175 - 450	20, 25, 32, 40, 50	KT4	M16	2	4	125	125	20mm



KT1 Tapping Saddle



KT4 Tapping Saddle



**WANG Type 'R' tapping saddles  
for rigid pressure pipe**

Top Number = Tapping Saddle  
(Start of OD Range)  
Bottom Number = Pipe OD. mm

Nom size DN	DICL	Steel		CICL		Asbestos
	AS/NZS 2281	MSCL AS 1579	GWI AS 1074	B AS 1724	C AS 2544	AB AS 1711
40			KT1-047T--- 48mm			
50			KT1-059T--- 60mm			
65			KT1-075T--- 76mm			
80	KT1-088T--- 96mm		KT1-088T--- 89mm			KT1-088T--- 96mm
100	KT1-114T--- 122mm	KT1-114T--- 114mm	KT1-114T--- 114mm	KT1-114T--- 122mm	KT1-114T--- 122mm	KT1-114T--- 122mm
125		KT1-140T--- 140mm	KT1-140T--- 140mm		KT1-140T--- 149mm	
150	KT1-168T--- 177mm	KT1-168T--- 168mm	KT1-168T--- 168mm	KT1-168T--- 177mm	KT1-168T--- 177mm	KT1-168T--- 177mm
175					KT4-200T--- KT4-200T--- 203mm	
200	KT4-215T--- KT4-215T--- 232mm	KT4-215T--- KT4-215T--- 219mm		KT4-215T--- KT4-215T--- 232mm	KT4-215T--- KT4-215T--- 232mm	KT4-215T--- KT4-215T--- 232mm
225	KT4-250T--- KT4-250T--- 259mm			KT4-250T--- KT4-250T--- 259mm	KT4-250T--- KT4-250T--- 259mm	KT4-250T--- KT4-250T--- 259mm
250	KT4-270T--- 286mm	KT4-270T--- 273mm		KT4-270T--- 286mm	KT4-270T--- 286mm	KT4-270T--- 286mm
300	KT4-330T--- 345mm	KT4-315T--- 324mm		KT4-330T--- 334mm	KT4-330T--- 345mm	KT4-330T--- 334mm
350		KT4-355T--- 355mm				
375	KT4-410T--- 426mm	KT4-390T--- 406mm		KT4-410T--- 413mm	KT4-410T--- 426mm	KT4-410T--- 413mm
400		KT4-440T--- 457mm				
450	KT4-490T--- 507mm	KT4-490T--- 508mm		KT4-490T--- 492mm	KT4-490T--- 507mm	KT4-490T--- 492mm

Note. On pipes with low stiffness factors, WANG Components recommends the use of a longer clamp alternative such as the WANG Tapped Offtake Clamp.

## WANG Type 'R' tapping saddle typical specifying sequence

	RC
CD AS 1711	AS 4058
KT1-088T---	KT1-088T---
96mm	96mm
KT1-114T---	
122mm	
KT1-168T---	KT1-190T---
177mm	197mm
KT4-215T---	
KT4-215T---	
232mm	
KT4-250T---	KT4-270T---
KT4-250T---	279mm
259mm	
KT4-270T---	
286mm	
KT4-330T---	KT4-355T---
345mm	362mm
KT4-410T---	KT4-440T---
426mm	445mm
KT4-490T---	
507mm	

Example 1	KT	1	-	168	T	020
KT	= WANG Type 'R' Tapping Saddle					
1	= Number of studs 1 = 1 stud / 4 = 4 studs					
-	= Delineator					
168	= Saddle size – start of OD range ie: 168-178mm					
T	= Offtake type. T = Tapped BSP socket					
020	= Nominal offtake size 020 = DN 20 / 025 = DN 25 / 032 = DN 32 / 040 = DN 40 / 050 = DN 50					

### Example 2

You require a tapping saddle to tap into a DN 150 MSCL pipe.

#### 1 Determine the most suitable tapping saddle.

Using the Tapping Saddle Selection Chart, find the code at the intersection of DN 150 and the column MSCL  
= KT1-168T - - -

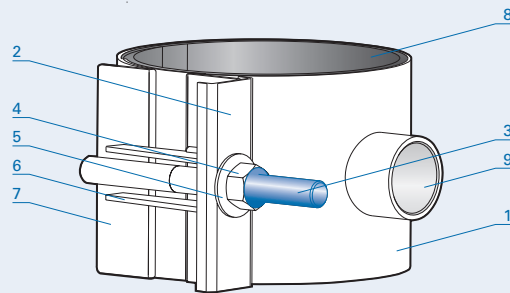
#### 2 Find the BSP offtake size required.

Refer to the Standard Clamp Data Table on page 5 to find the range of offtake sizes that are available with that nominal pipe size. Then select the preferred offtake size.

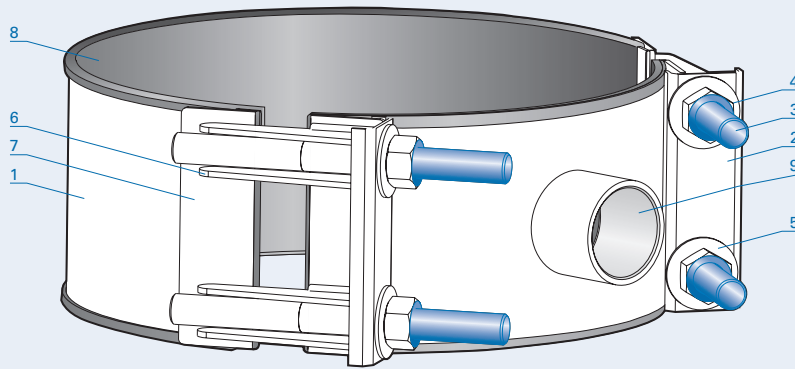
ie: DN 50

Therefore the tapping saddle ordering code for DN 150 MSCL pipe would be: KT1-168T050

## WANG Type 'R' tapping saddle parts list



KT1 Tapping Saddle



KT4 Tapping Saddle

No.	Description / Material / Standard
1	Skin 316 Stainless Steel ASTM A240M
2	Locking Plate 316 Stainless Steel ASTM A240M
3	Studs 316 Stainless Steel – Molybond coated ASTM A276
4	Nuts 316 Stainless Steel – Molybond coated ISO 4032, AS 1112.1
5	Washer 316 Stainless Steel ISO 887
6	Lugs 316 Stainless Steel ASTM A240M
7	Flat Bars 316 Stainless Steel ASTM A240M
8	Sealing Gasket Full-circle Nitrile (NBR) compound AS 1646 and AS/NZS 4020
9	BSP Offtake 316 Stainless Steel ASTM A312M, ISO 4144 or ANSI B16.3, AS 1722.1

# WANG Clamps and Couplings

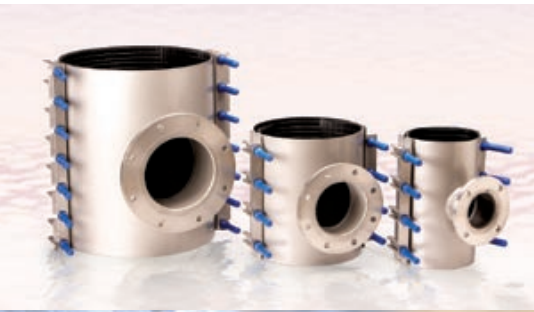
Tyco Water *Wang Components* is one of the leading suppliers of Grade 316 Stainless Steel Repair and Tapped Clamps as well as Couplings for reticulated water, sewerage and gas distribution mains including industrial piping systems.

As part of the Tyco Water business, *Wang Components* products have become synonymous with quality and reliability. Our product range is widely utilised and relied upon by Water Authorities and Councils throughout

Australia in the installation and maintenance of their supply mains and reticulation network.

*Wang Components* products are Australian made and can be sourced through the Tyco Water national sales and service network of customer centres.

Tyco Water is a specialist in integrated solutions for all your water and wastewater pipeline system requirements.



## ◀ Flanged Offtake Clamp

A cost effective means of achieving a 'T' connection or under pressure tapping. DN 100 - DN 900

### KWIK Clamp ▶

A full circle repair clamp for small bore galvanised steel, copper and PVC pipe. DN 15 - DN 50



## ◀ Sewer OB Junction Clamp

A quick method of installing a new property service connection on a sewer main. DN 100 - DN 450

### Repair Clamp ▶

A fast, permanent and economical repair solution for most pipe types and sizes. DN 50 - DN 1200



## ◀ Socket Joint Leak Clamp

Provides a permanent and economical seal over a leaking socket-spigot joint. DN 80 - DN 1200

### Tapped Clamp ▶

A reliable means of tapping into old, unstable or damaged pipe. DN 50 - DN 1200



## ◀ Vari-Gib Coupling

Designed to provide a mechanical joint between similar or dissimilar pipes. DN 50 - DN 1200

### Tapping Saddle – Rigid pipe ▶

Variable OD stainless steel saddle for tapping into rigid pipe. DN 40 - DN 450

