



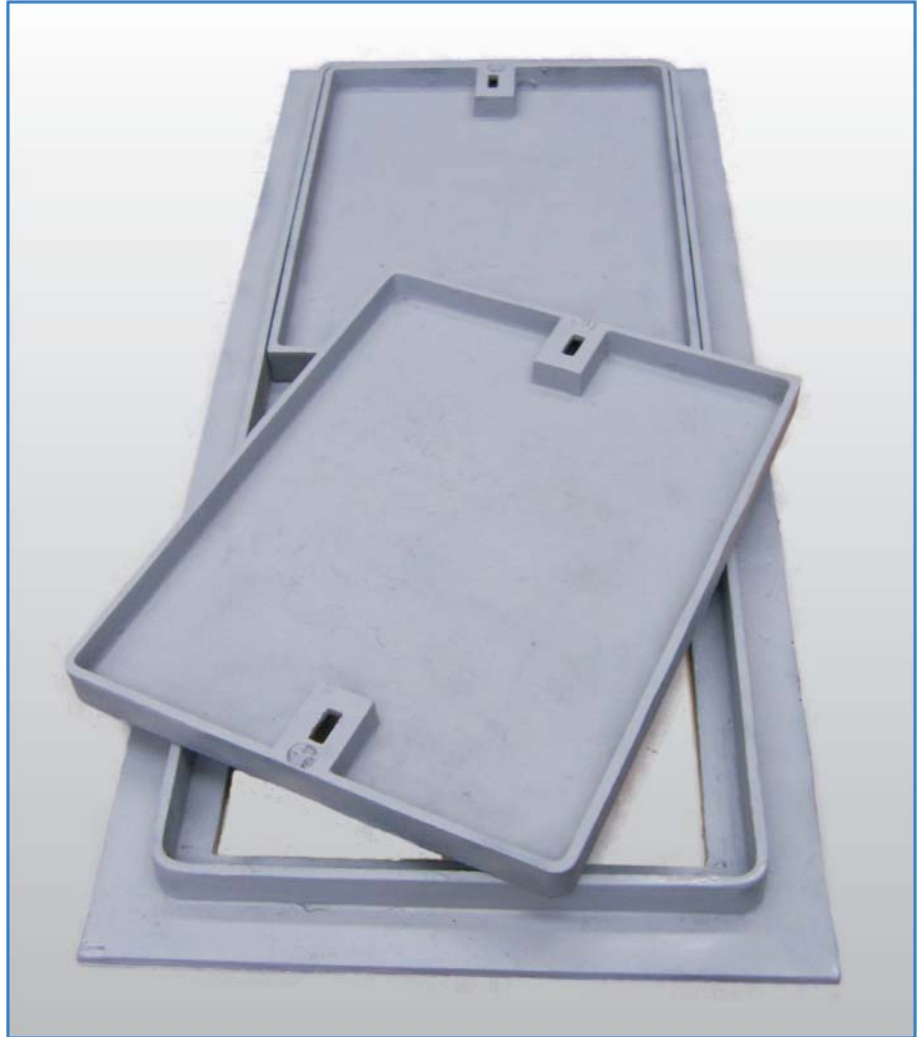
*Flow Control*

**Tyco Water**

**WANG Aesthetic pit covers accept a variety of surface finishes to blend perfectly into the surrounding environment.**

### Features

- Cast from ductile iron for high load strength.
- Can lay a variety of materials into the lid. For example - brick, besser, tiles and pavers.
- Provide versatile and economical refurbishment of existing pits.
- Made to Telstra Specifications.
- Manufactured in accordance with ISO 9001 Quality Standards.



### General Application

The WANG Aesthetic pit cover can be used to provide an aesthetically pleasing surface finish to telecommunications manholes located in areas such as:

- Malls
- Shopping Centres
- Streetscapes
- Other Building Projects



### Technical Data

**Material:**  
Ductile Iron

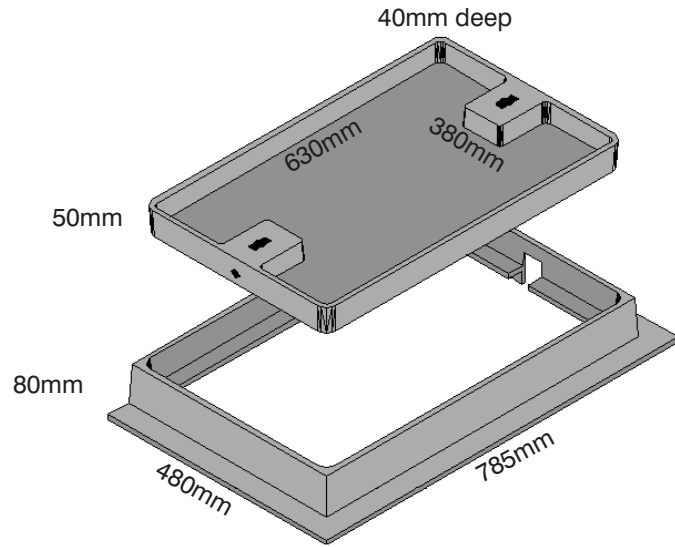
**Coating:**  
Grey Oxide Paint

# WANG Aesthetic Pit Covers

Telstra Specification

## Style WT-5

Suits single lid Telstra pits sizes 1, 2, 3, 4 & 5.



## Style WT-6

Suits double lid Telstra pits sizes 6, 7 & 8.

