

tyco

Flow Control

Tyco Water

Hydrant & Air Valve Isolators provide isolation of the attached appurtenance for maintenance purposes.

Features

- Ductile Iron body and top cover for high strength and impact resistance.
- EPDM encapsulated plug for longevity and reliable sealing.
- Rilsan® Nylon 11 coating for long life corrosion protection.
- End connections available as DN80 or DN100 Figure B5 or Figure B6 connections.
- Allows easy attachment of spring hydrant, air valve or screwed outlet.
- O-Ring seals replaceable under full operating pressure.
- Isolated fasteners for long life corrosion protection.



General Application

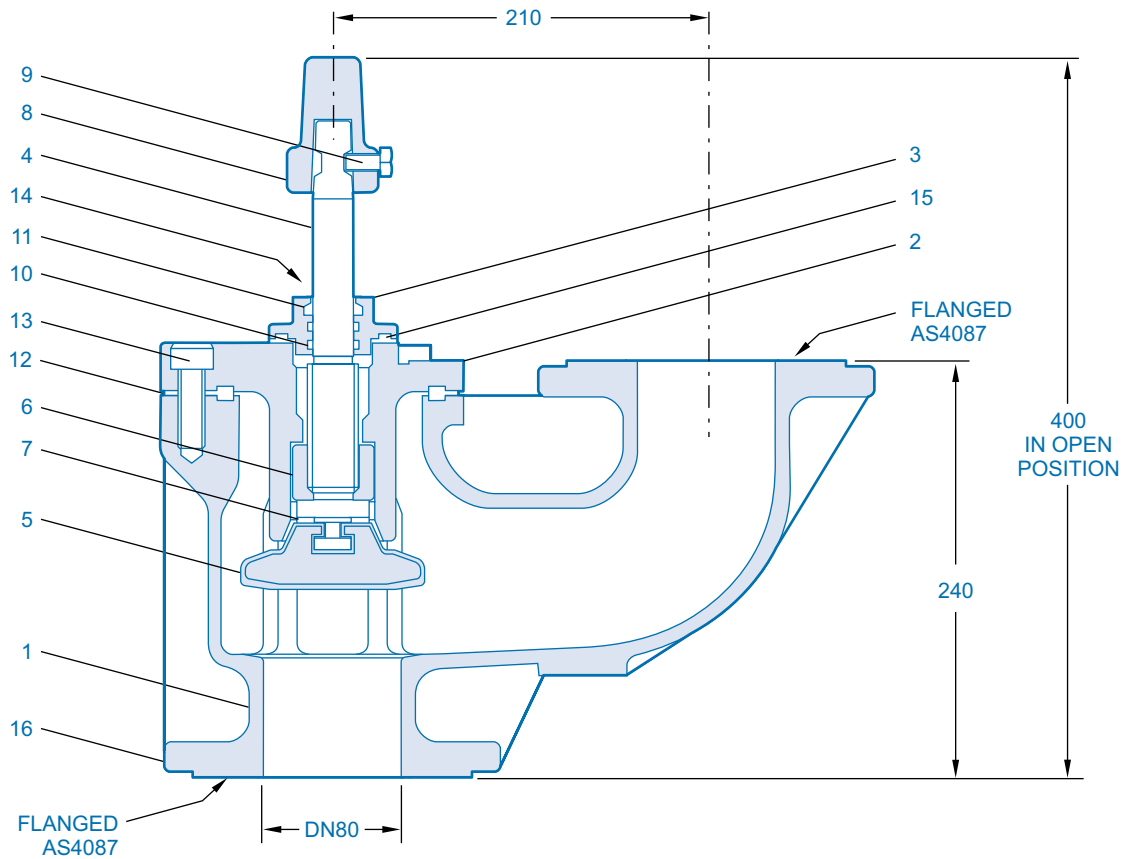
Hydrant & Air Valve Isolators can be used in conjunction with spring hydrants, air valves or screwed outlets to provide isolation of the appurtenance for maintenance purposes.

Technical Data

Size Range: DN80 - DN100
Allowable Operating Pressure: 1600 kPa or 3500kPa
Maximum Temperature: 40° C
End Connections: Flanged to AS 4087 Figure B5 or B6
Certifications: Certified to AS 4020 - Suitable for contact with drinking water.

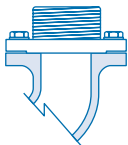
Hydrant & Air Valve Isolator

DN80 - DN100

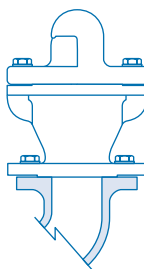


Parts List

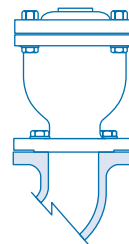
No	Description	Material	Standard
1	Body	Ductile Iron	AS1831-400/15
2	Top Cover	Ductile Iron	AS1831-400/15
3	Seal Retainer	Gun Metal	AS1565 C83600
4	Spindle	Stainless Steel	ASTM A276 431
5	Plug	Ductile Iron/EPDM	AS1831-400/15 AS1646
6	Nut	Gun Metal	AS1565 C83600
7	Washer, Anti-Friction	Acetyl	-
8	Spindle Cap	Ductile Iron	AS1831-400/15
9	Hex Head Screw	Stainless Steel	ASTM A276 316
10	'O'-Rings	Nitrile Rubber	AS1646
11	Wiper Ring	Nitrile Rubber	AS1646
12	Body Gasket	EPDM Rubber	AS1646
13	Socket Head Screw	High Tensile Alloy Steel	-
14	Socket Head Screw	High Tensile Alloy Steel	-
15	Seal Retainer Gasket	EPDM Rubber	AS1646
16	Coating	Rilsan Nylon 11	AS/NZS 4158



Screwed Outlet



Spring Hydrant



Air Valve