



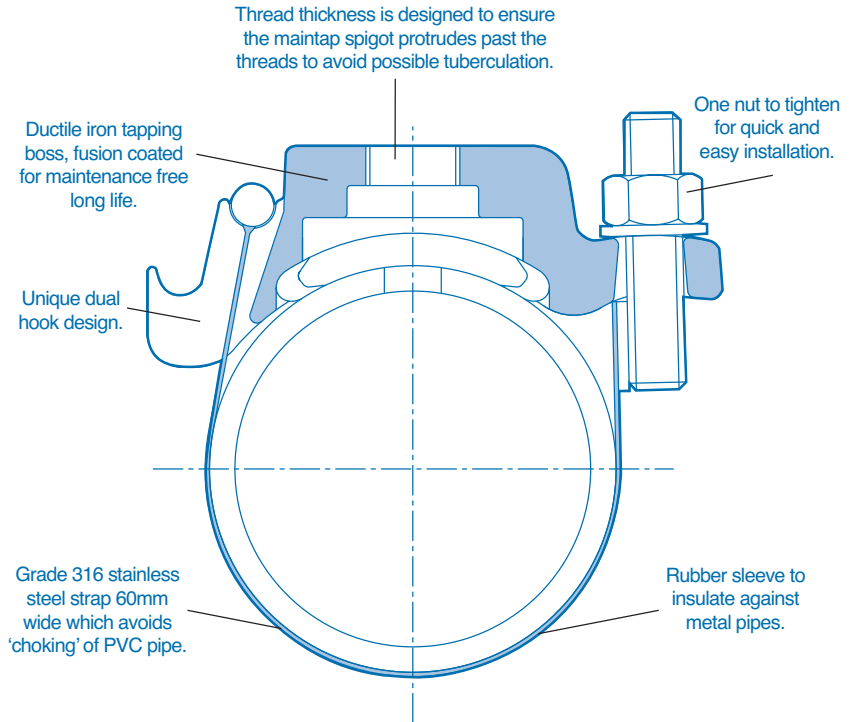
Flow Control

Tyco Water

Unique dual hook design tapping band for common DN100 and DN150 pipes.

Features

- The one tapping band fits DI, CI, AC, blue PVC or white PVC pipes. The unique dual hook design allows simple adjustment at time of installation to accommodate various pipe OD's.
- Full circle design. Stops on the stainless steel rubber backed strap, ensures the band cannot be overtightened on PVC pipes.
- Drop tight operation. The special lip seal design provides reliability up to an allowable operating pressure of 1600 kPa and test pressures to 2400 kPa. It is also effective at low operating pressures.



Tapping Band Data

Size DN mm	Pipe OD Ranges mm	Allowable Operating Pressure kPa	Available Tapping Size BSP	Rec. Torque Nm
100	114-120 & 122-128	1600	3/4" - 2"	50
150	160-166 & 177-183	1600	3/4" - 2"	50