

tyco

Flow Control

Tyco Water

Features

- Allows for complete installation of household services at the time of pipeline construction
- Avoids the need for future disturbances of the main and its environment therefore eliminating the risk of pipeline damage.
- Avoids inefficient and costly excavation of pipeline to connect household services after installation
- Avoids the undesirable practice of drilling holes in new pipes
- Pre-tapped outlets eliminates the need for drilling and tapping on site.
- No nuts and bolts to slow down construction
- Single outlet or four outlet options
- Unused outlets are fitted with removable DR brass plugs to allow use of 1, 2, 3 or 4 ports
- Ductile Iron fitting for high strength and impact resistance.
- Coated in long life Rilsan® Nylon 11 for corrosion resistance.
- Utilizes TYTON® or TYTON-LOK® jointing system.

READYTAP® Connectors allow house service connections to be installed during construction without the need for drilling and tapping.



General Application

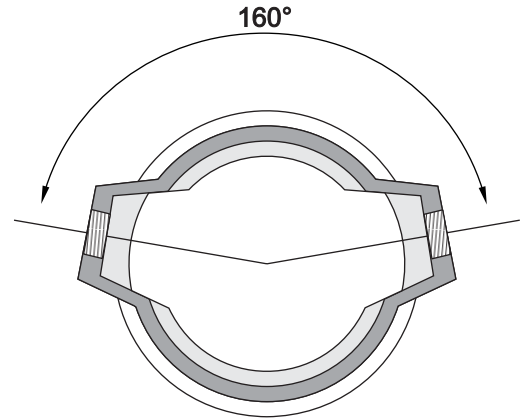
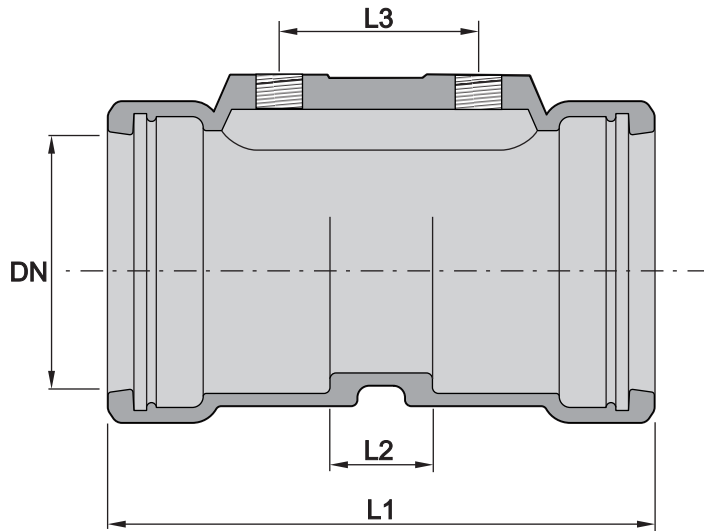
The READYTAP® system provides for complete installation of house services at the time of pipeline construction minimizing the need for future drilling and tapping.

Technical Data

Size Range: DN100 - DN300
Allowable Operating Pressure: 1600 kPa
Maximum Temperature: 40°C
End Connections: TYTON Socket
Standards: AS/NZS 2280 - Ductile iron pressure pipes and fittings
Certifications: ISC ProductMark Licence PRD/R61/0412/1
AS 4020 - Suitable for contact with drinking water.

READYTAP® Connector

DN100 - DN300



Note - Drawing of 4 outlet READYTAP shown.

Dimensions

Nominal Size DN	4 Outlets				Single Outlet		
	L1	L2	L3	Tapping	L1	L2	Tapping
100	270	50	100	3/4" BSP	272	88	1" - 2" BSP
150	270	50	100	3/4" BSP	272	88	1" - 2" BSP
200	-	-	-	-	320	88	2" BSP
225	-	-	-	-	328	88	2" BSP
250	-	-	-	-	340	88	2" BSP
300	-	-	-	-	340	88	2" BSP

Specifying Sequence

Specifying a 4 outlet, socketed, 100mm READYTAP with 3/4" outlets

Example	100	3/4"	SC READYTAP	4/TAP	FC
Nominal Size					
Tapping Size					
3/4" - 2"					
READYTAP					
No. of Outlets					
1/TAP					
4/TAP					
Extra Information					
FC - Fusion Coated					

Recommended Specification

Ductile Iron Pre-tapped Connector

Pre-tapped connectors shall be ductile iron with TYTON socket ends in accordance with AS/NZS 2280 and fusion coated by the fluidised bed technique in accordance with AS/NZS 4158. DN100 and DN150 connectors shall be provided with 4 factory machined 3/4" BSP tapplings at a 160° included angle, or with a single outlet tapping for larger size connectors and/or larger size outlets.