



Flow Control

Tyco Water

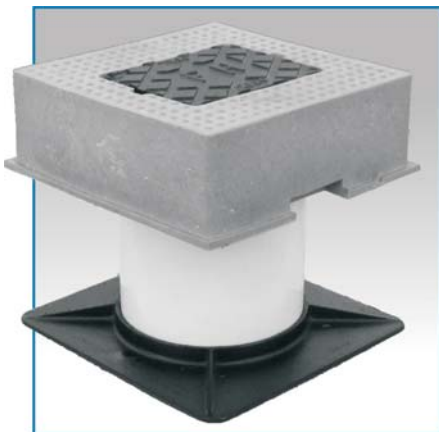
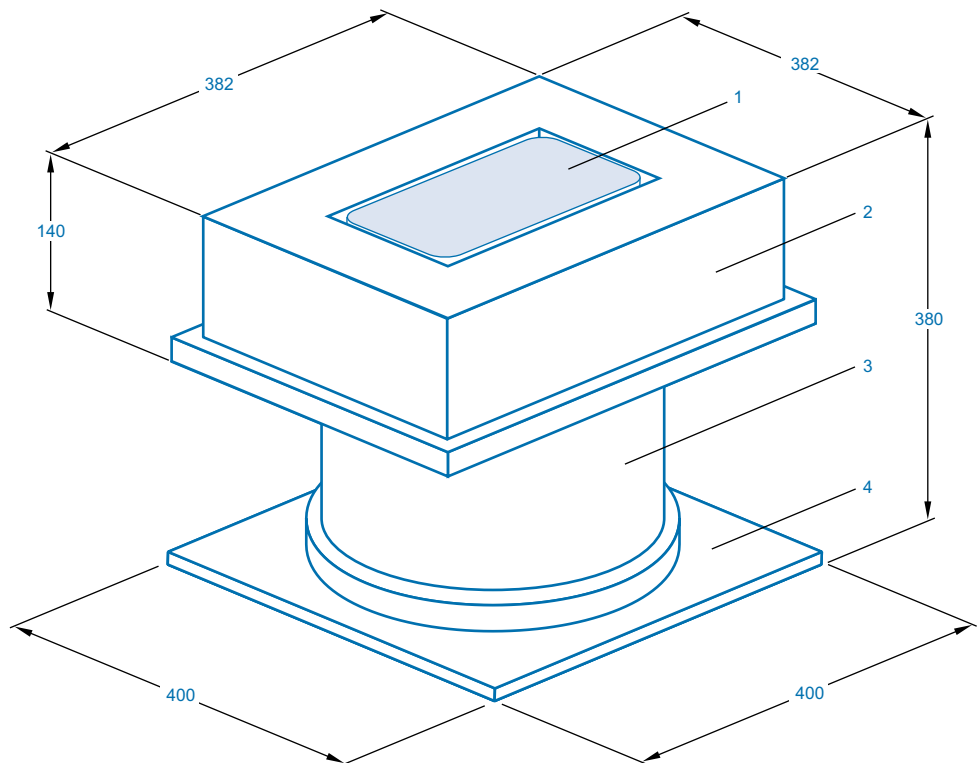
Valve/Hydrant Boxes are constructed from recycled plastic and use high strength ductile iron lids and base plates.

Features

- Made from environmentally friendly recycled materials.
- Light weight, easily to transport, easy to lift.
- No need for time consuming brickwork. No sand or dirt ingress from ants.
- No sinking of box, supported by base plate.
- Easy to stack and store.
- Easy to assemble.
- Fits a variety of standard ductile iron lids.
- Interchangeable parts reduces stock holdings at store.

General Application

Recycled plastic valve/hydrant box assemblies can be used in place of old, heavy concrete surrounds or cast iron boxes.



Parts List

No	Description	Material	Part Code
1	Standard Lid	Ductile Iron	(See below)
2	Surround	Recycled Plastic	MPPGREYQ
3	Shroud Pipe	DN225 x 300 Long PVC	DWPSS22038
4	Base Plate	Ductile Iron / ABS	MZTFLHD

Standard Lids Available

		Part Code
FH	Fire Hydrant	MZGHQLDFH
SH	Swabbing Hydrant	MS070919159
SV	Sluice Valve	MZGHQLDSV
AV	Air Valve	MZ070919156